



Quickstart Guide CBD08

Provided accessoires

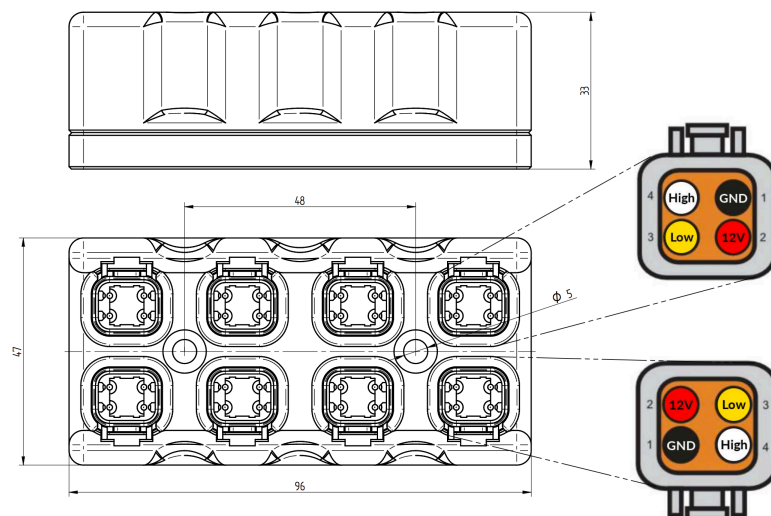
- CBD08
- M4x35 VA securing screws with self-locking nuts
- 4 jumper (pre-mounted)

Further information

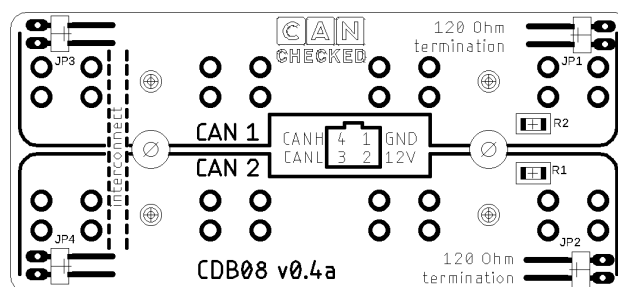
For more information regarding your display or our other products please head to:

www.canchecked.de

Mating plug:
8x DTM06-4S



When you remove the backside of the device, you gain access to the jumpers:
JP1: Can Bus termination can 1 (120 Ohm) – remove jumper for deactivation
JP2: Can Bus termination can 2 (120 Ohm) – remove jumper for deactivation
JP3+4: interconnect both can busses (both jumper installed) or two separate can busses (both jumper removed)



For further questions or information visit our website (www.canchecked.de) or get in contact with us via email (info@canchecked.de).